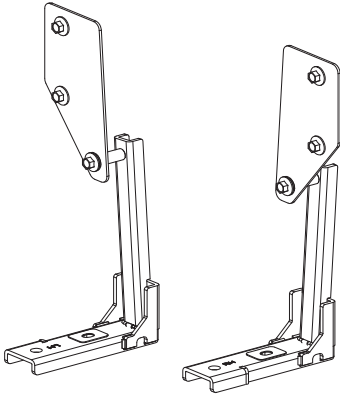


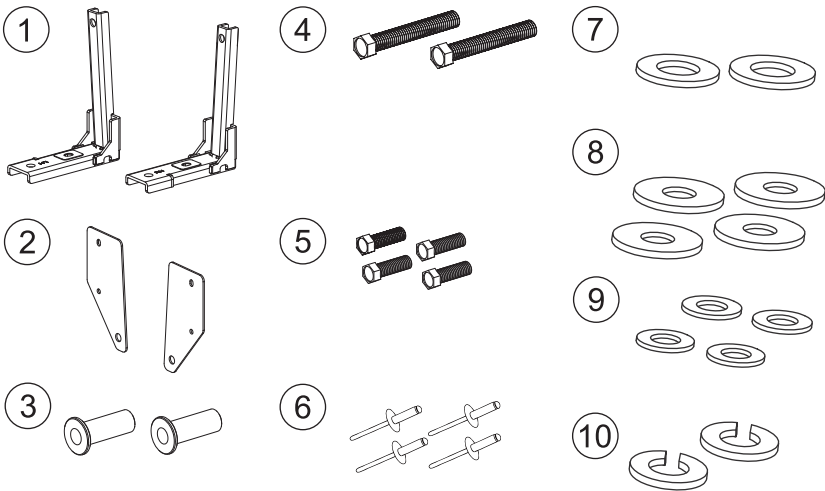
INSTALLATION MANUAL AEROKLAS SUPPORTING BRACKET

FOR FORD 2022
MODEL : FORD DBL, FORD RAP



Note : Aeroklas Supporting Bracket – We recommend to install this part to support the structural integrity of the load box when a canopy is fitted.

PART LISTS

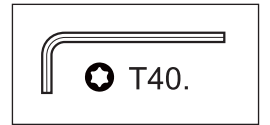
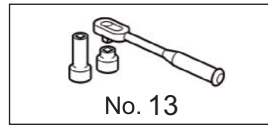
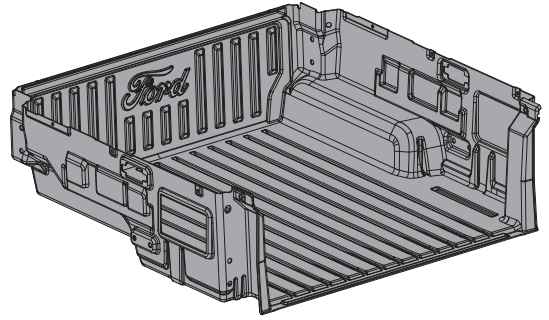
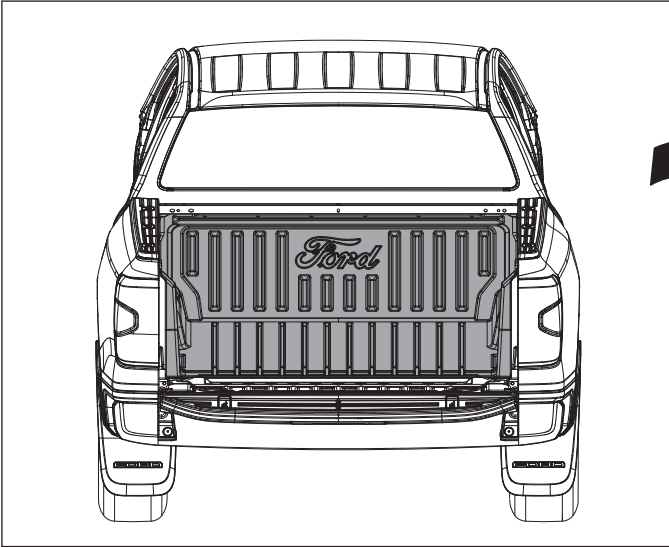


NO.	PART NAME	Q'TY
1	SUPPORTING BASE BRACKET	1L,1R
2	REINFORCE PLATE	2
3	COLLAR BUSH M10	2
4	HEXAGON FLANGE HEAD SCREW M10X1,5x70	2
5	HEXAGON FLANGE HEAD SCREW M8X1,25x30	4
6	RIVET	4
7	WASHER M10	2
8	WASHER M8	4
9	WASHER M6	4
10	SPRING WASHER M10	2
11	SPRING WASHER M8	4
12	INSTALLATION MANUAL	1
13	CABLE TIE	2

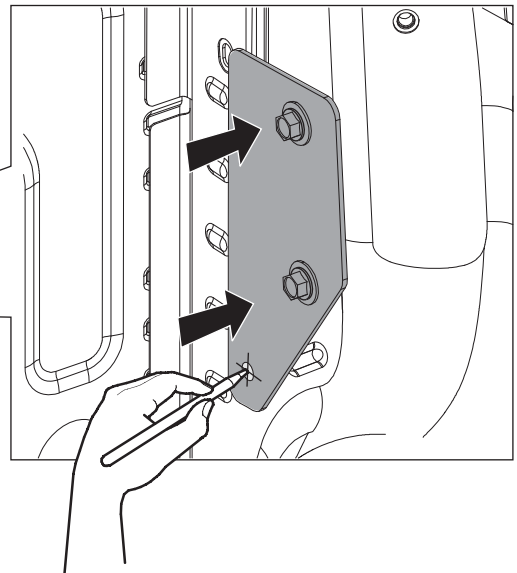
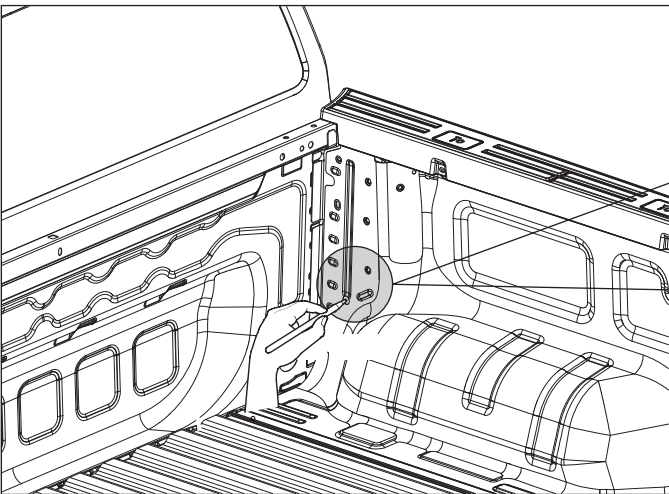


TOOLS

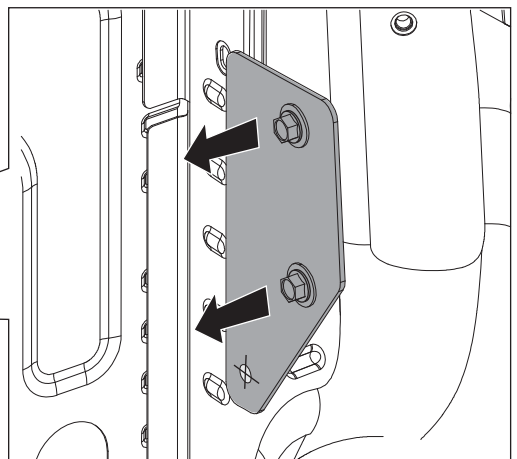
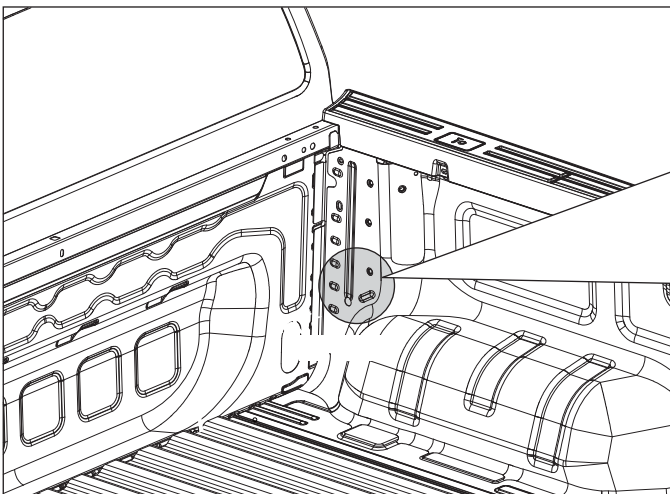
STEP 1 Take out liner from trunk of vehicle by star wrench



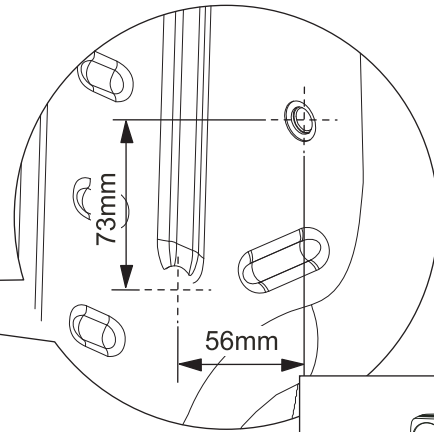
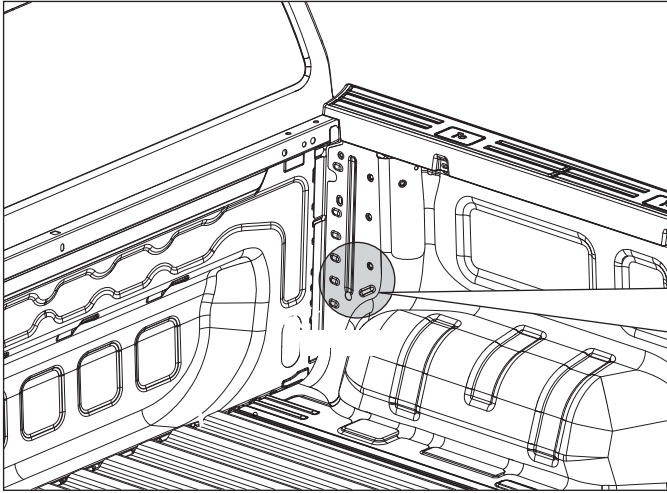
STEP 2 Mark holes for drilling.



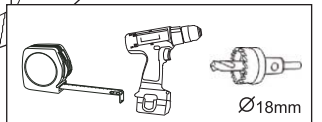
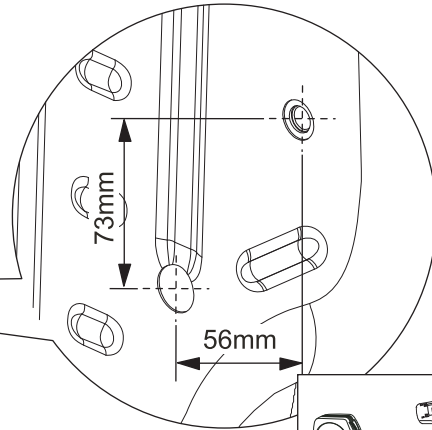
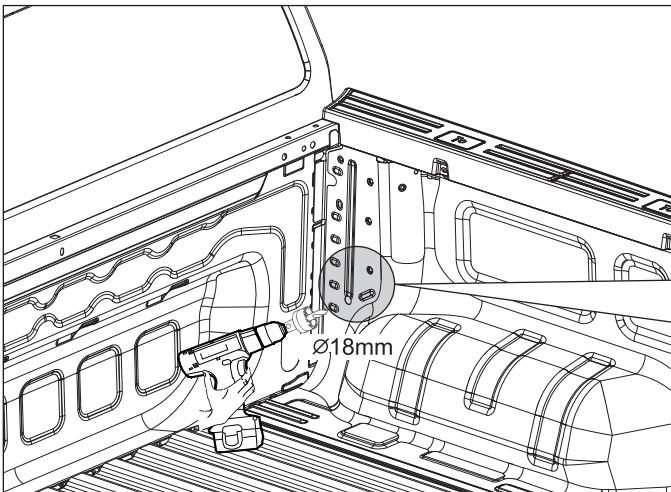
STEP 3 Remove plate.



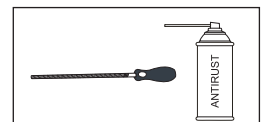
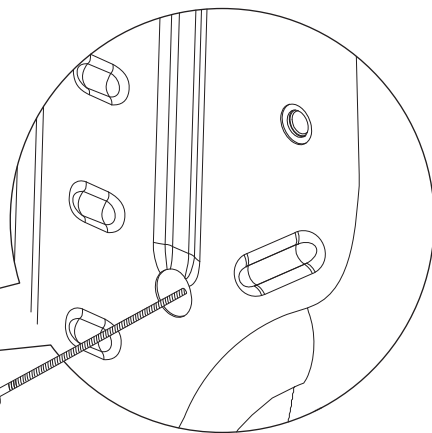
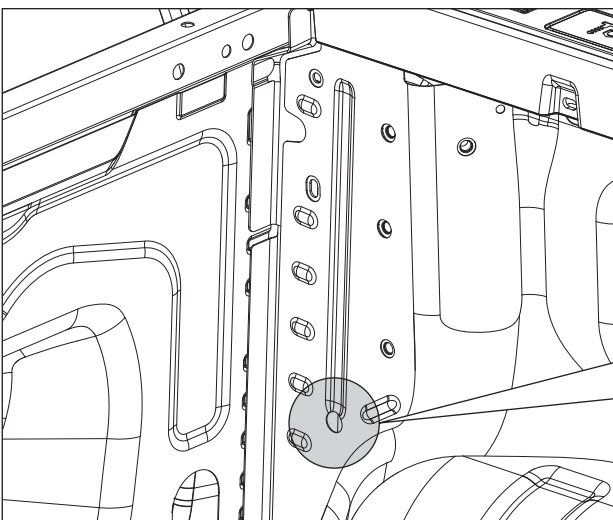
STEP 4 Recheck



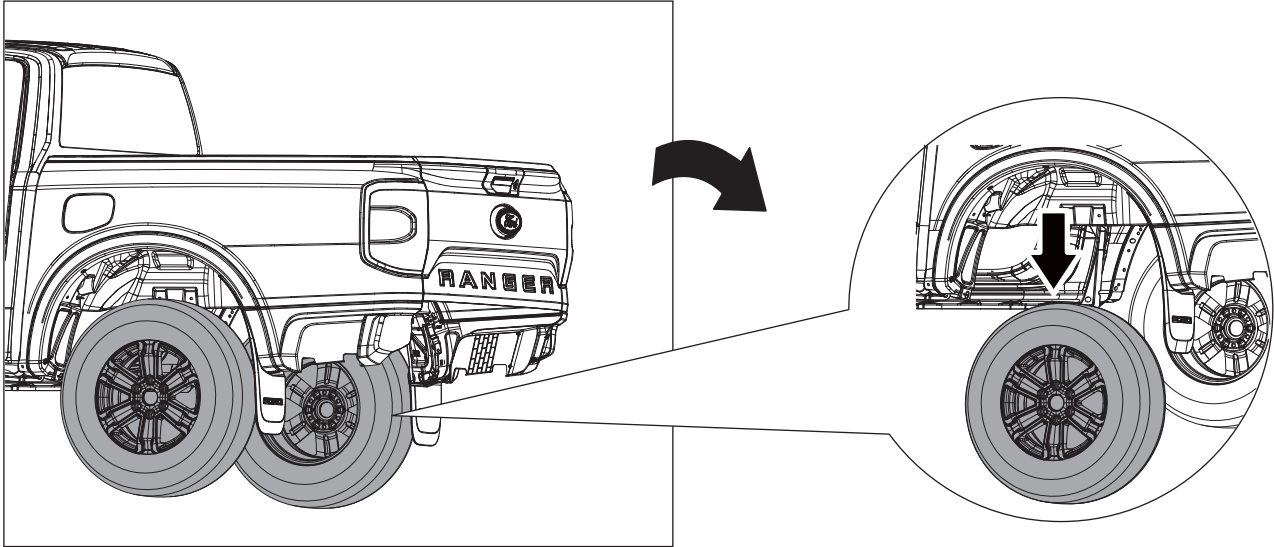
STEP 5 Drilling holes $\varnothing 18\text{mm}$. (RH/LH)



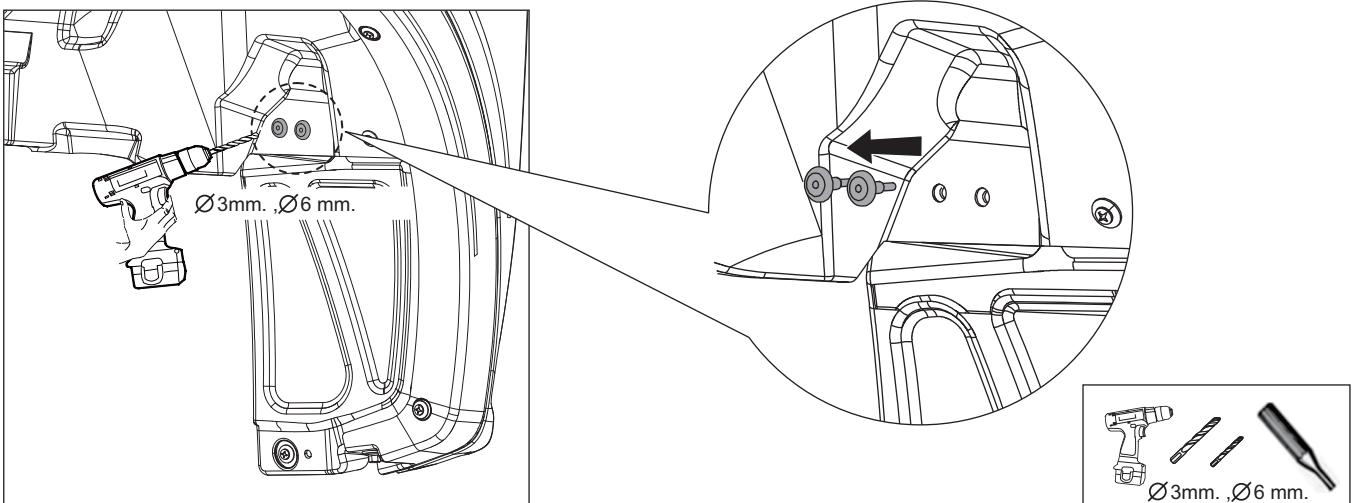
STEP 6 Polishing and add antitrust at holes $\varnothing 18\text{mm}$. (RH/LH)



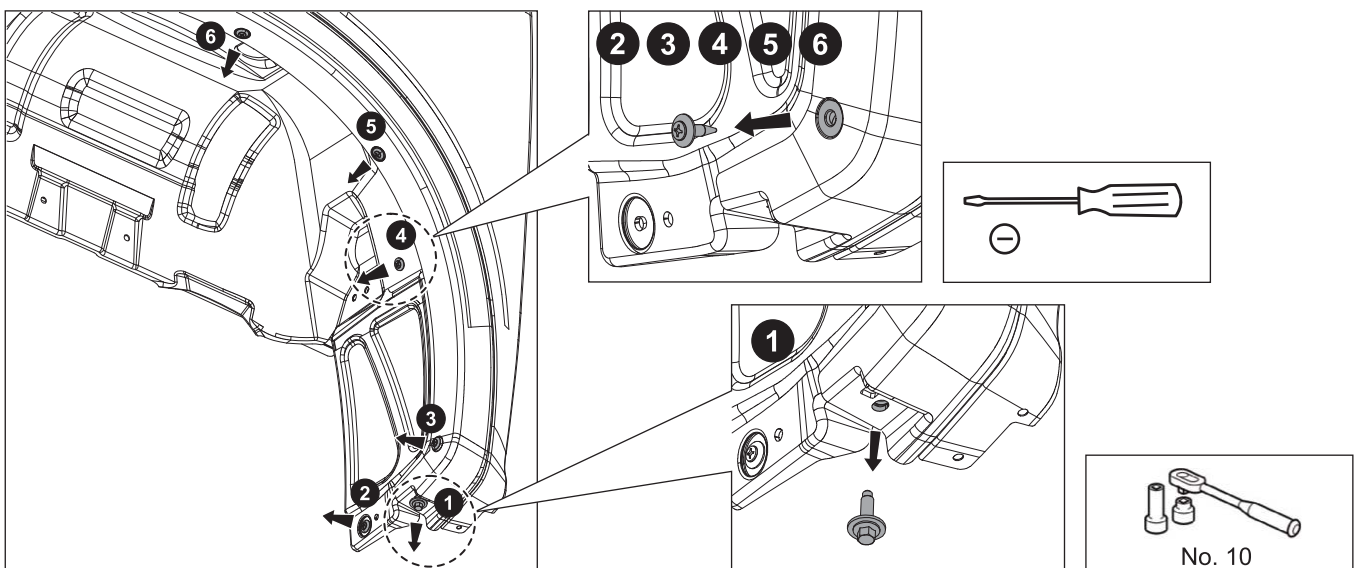
STEP 7 Take out rear wheel RH and LH



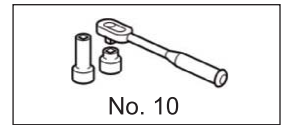
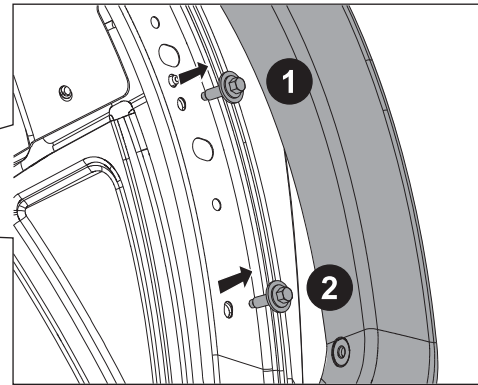
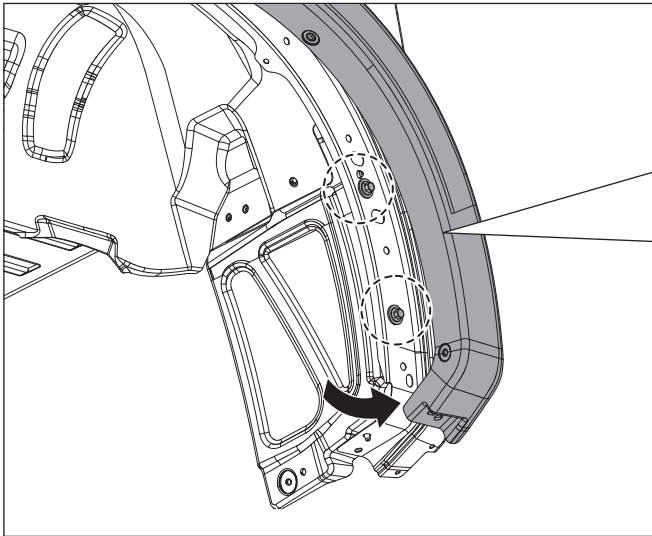
STEP 8 Take out 2 rivets at mudguard. (RH/LH)



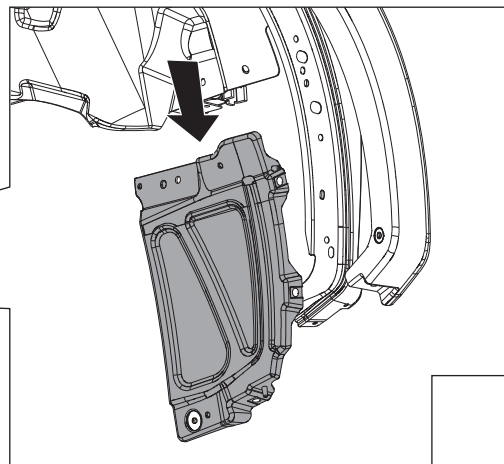
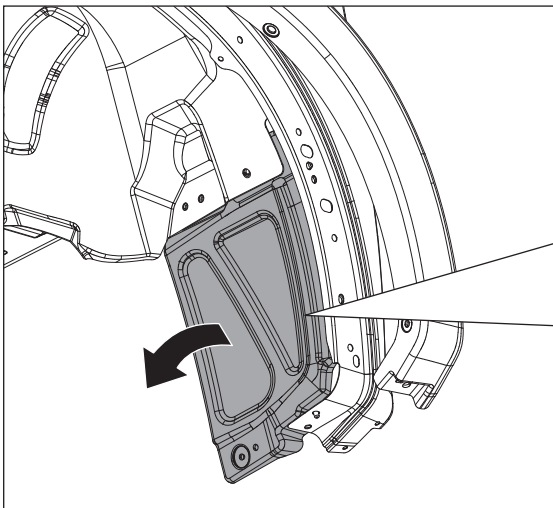
STEP 9 Take out 1 bolt and 5 rivets screw standard from vehicle. (RH/LH)



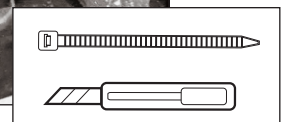
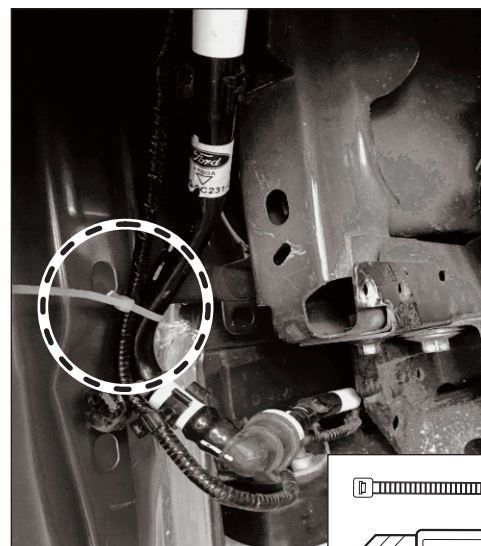
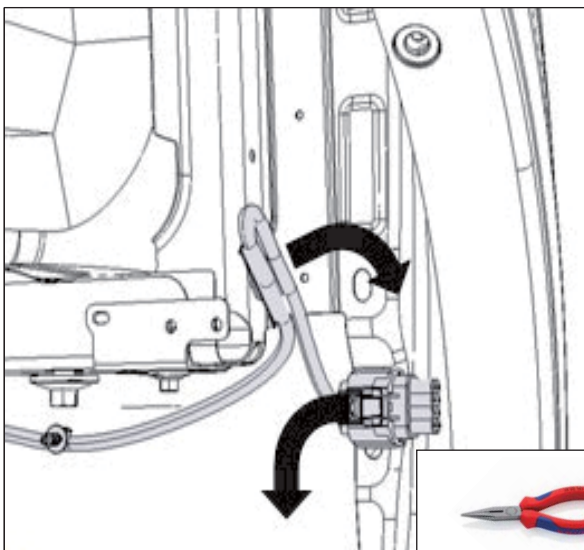
STEP 10 Gently pull out the wheel arch trims and remove the 2 bolts (LH/RH).



STEP 11 Remove the lower wheel arch from the vehicle. (RH/LH)

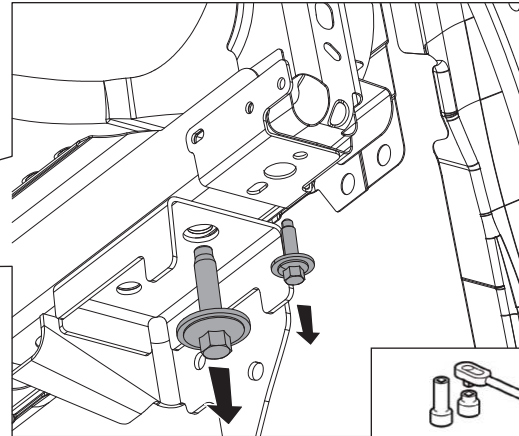
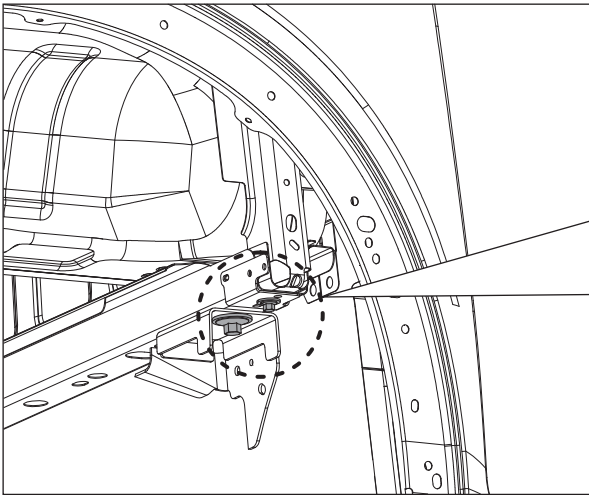


STEP 12 Move the fuel hose, wiring harness and fixing by cable tie as picture. (LH Only)

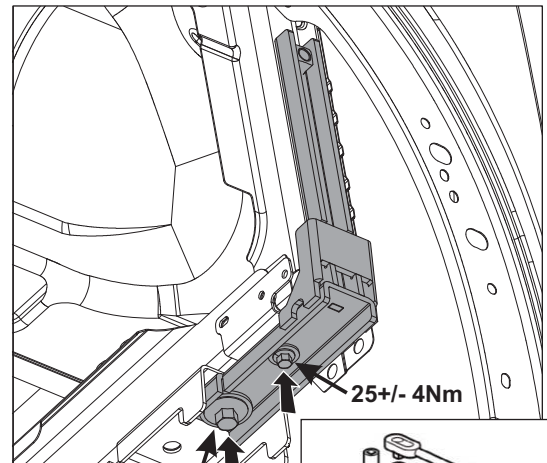
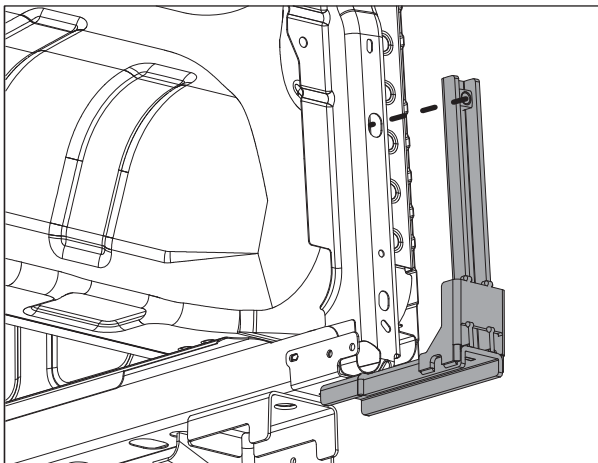


STEP 13

Take out bolt M6 and Bolt M10 standard from vehicle. (RH/LH).



STEP 14

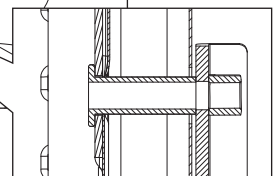
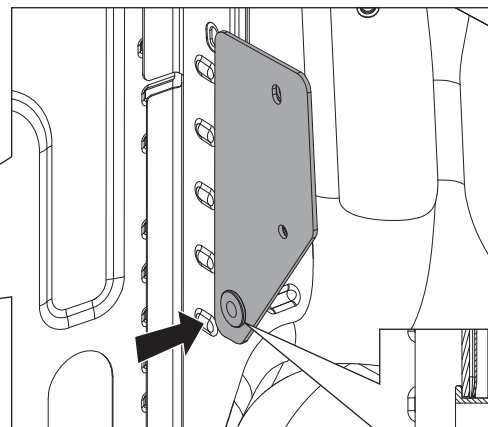
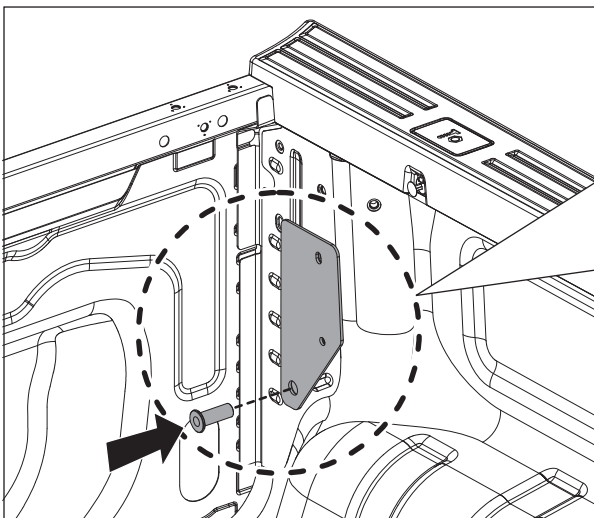


! Careful the fuel hose damage in J brace LH side insert method

125 +/- 18Nm

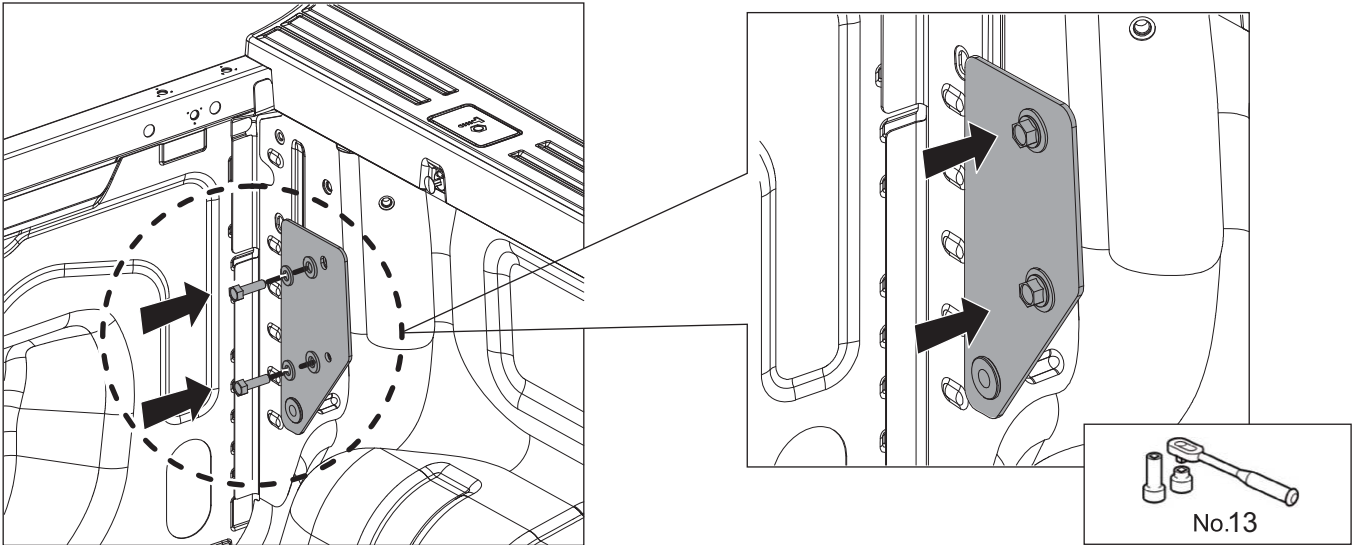
STEP 15

Insert collar on reinforced plate with trunk box (RH/LH).

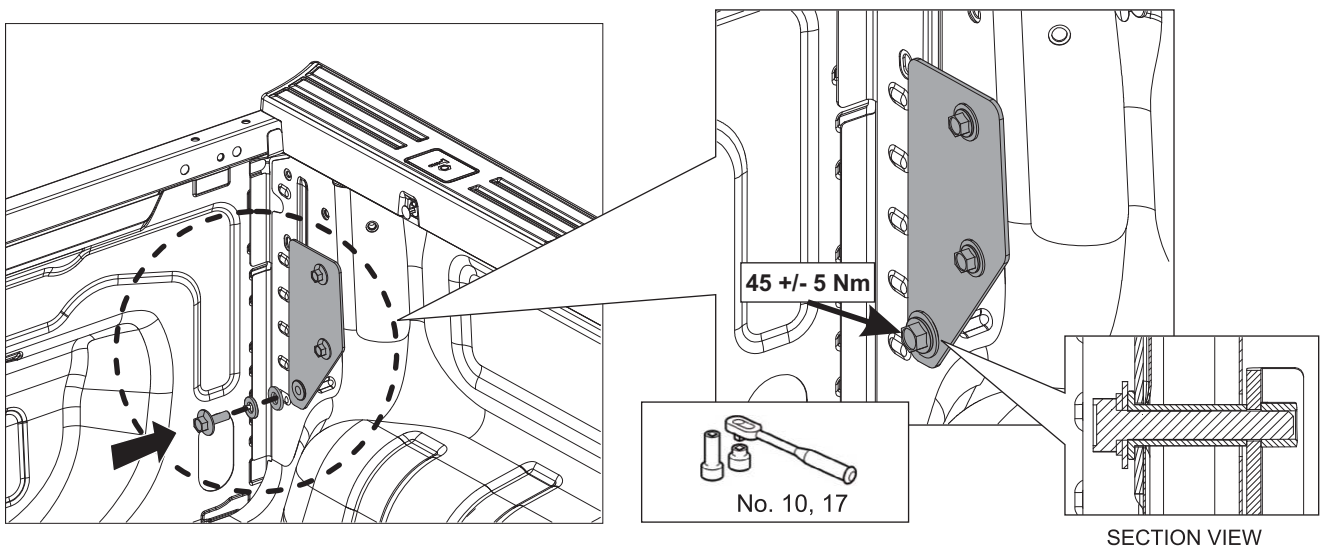


SECTION VIEW

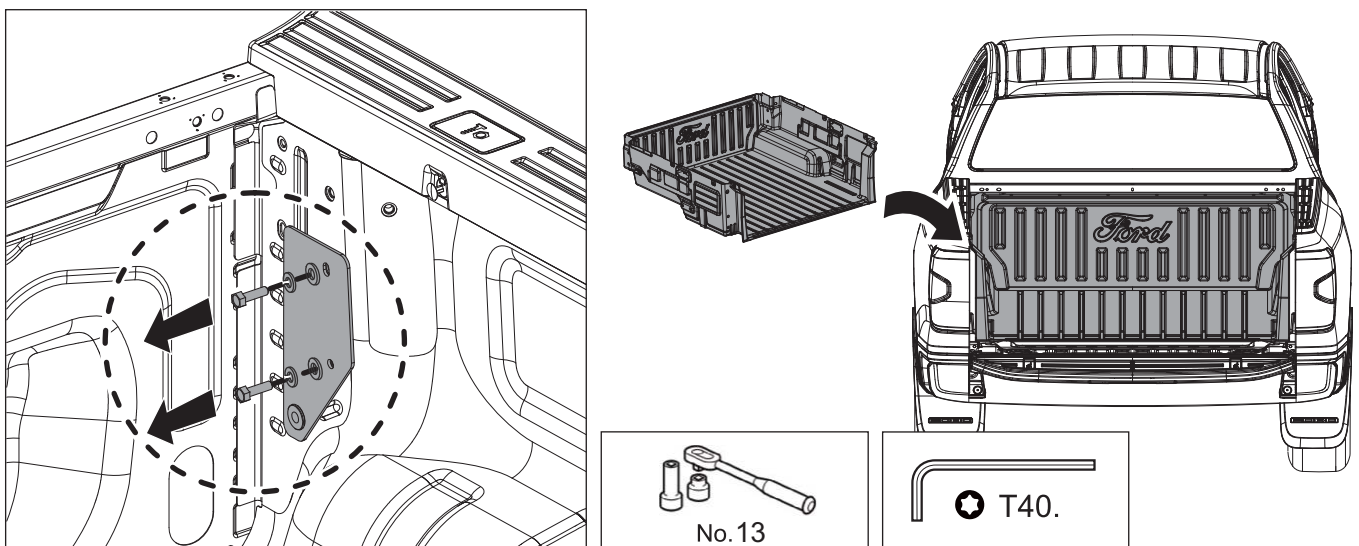
STEP 16 Insert Bolt M8 2 Pcs. on reinforce plate (RH/LH).



STEP 17 Tighten bolt M10 to collar hole of reinforced plate with trunk (RH/LH).

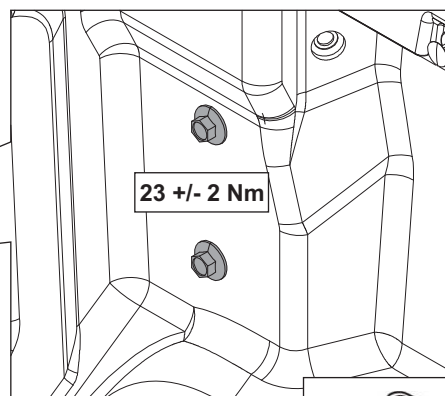
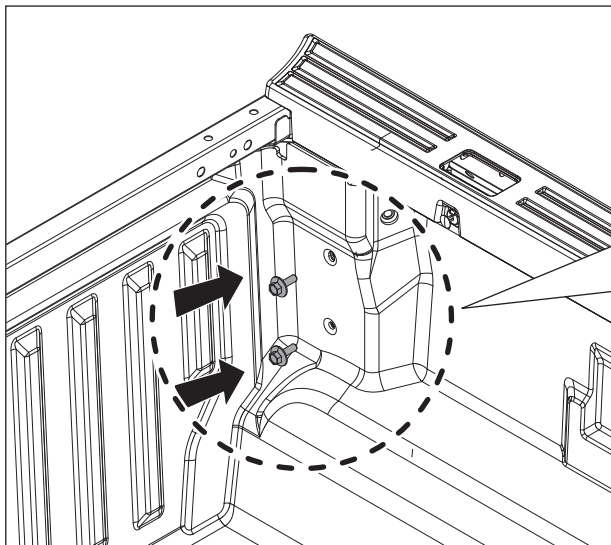


STEP 18 Remove 2 bolt M8 for installations back liner to trunk of vehicle (RH/LH)



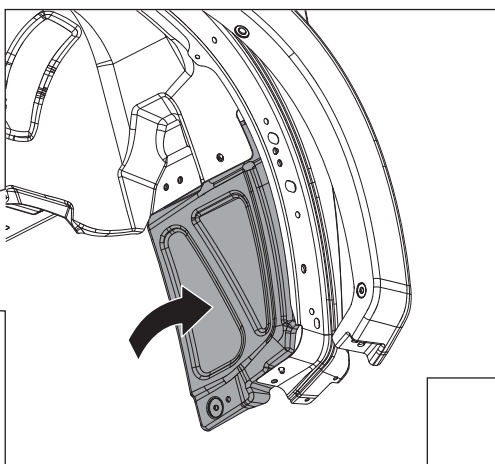
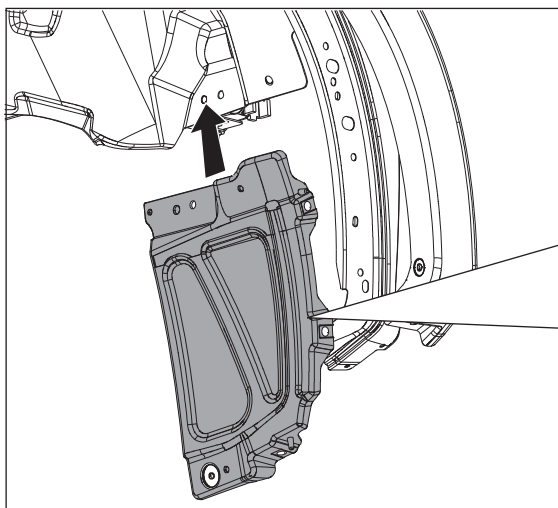
STEP 19

Insert 2 bolt M8 on liner to trunk of vehicle (RH/LH)



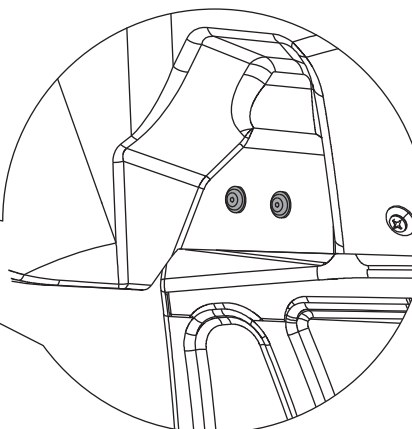
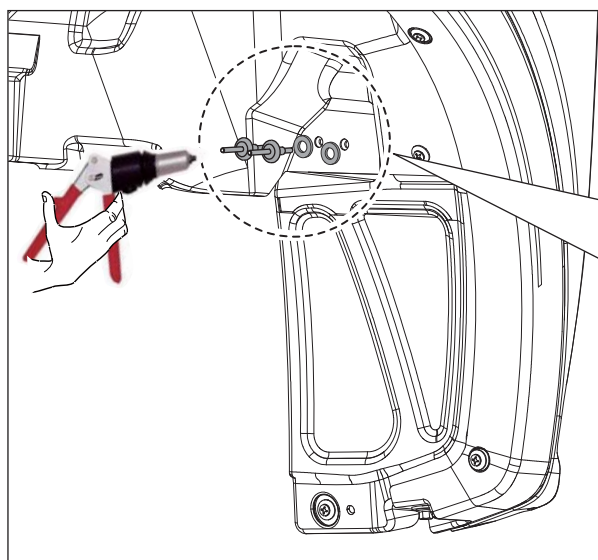
STEP 20

Insert the lower wheel arch back to vehicle. (RH/LH)



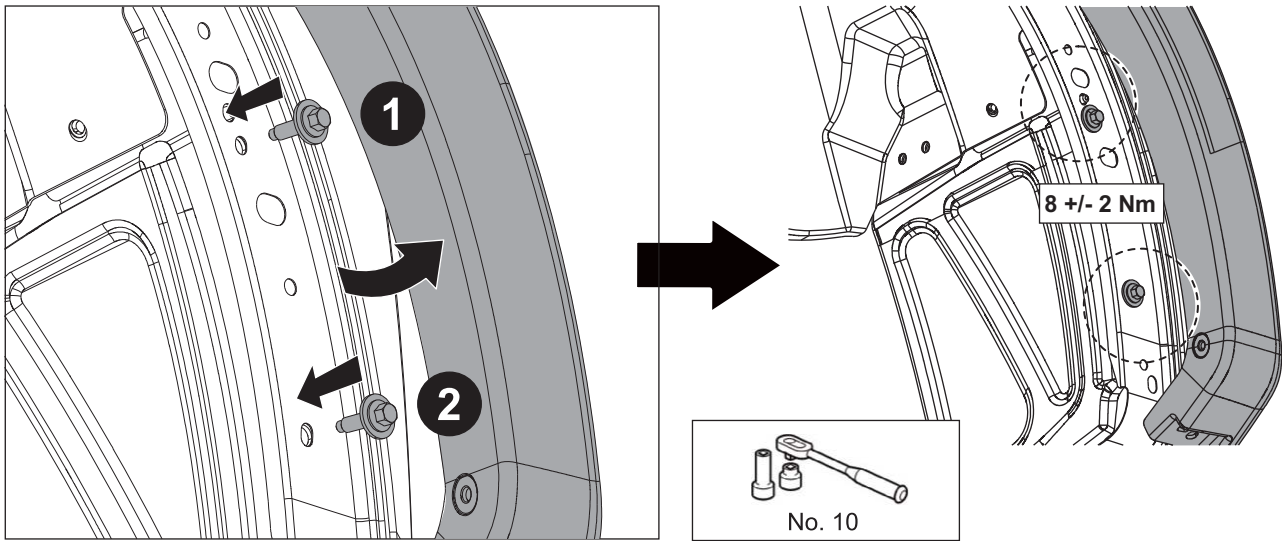
STEP 21

Insert 2 rivets at mudguard. (RH/LH)



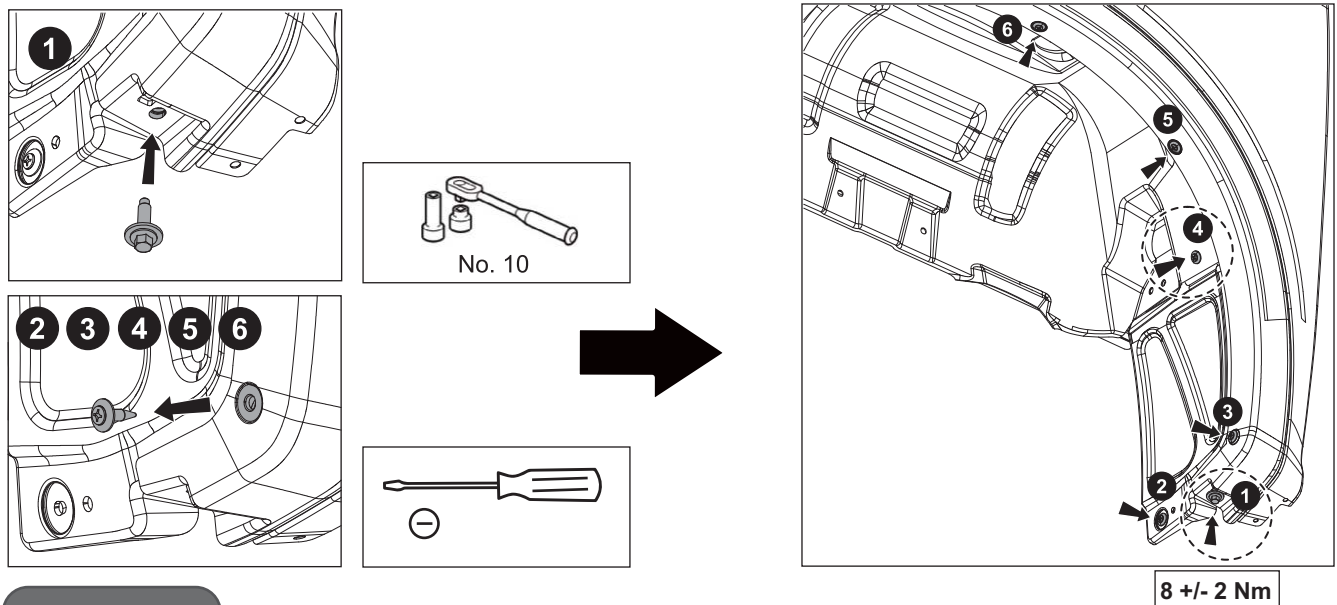
STEP 22

Gently pull out the wheel arch trims for insert the 2 bolts back to vehicle (LH/RH).



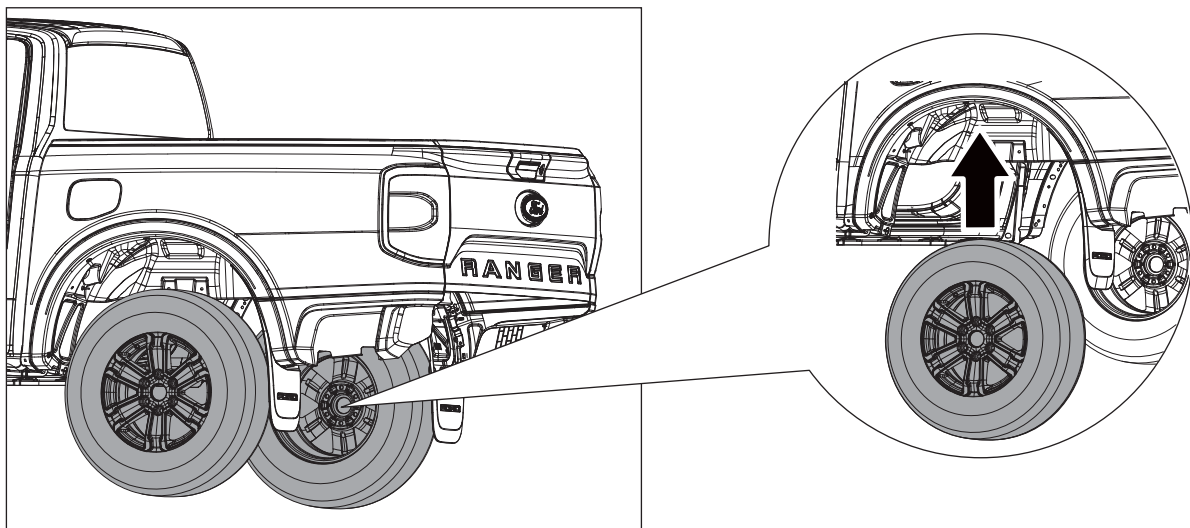
STEP 23

Take out 1 bolt and 5 rivets screw standard from vehicle. (RH/LH)



STEP 24

Insert rear wheel RH and LH



****END****